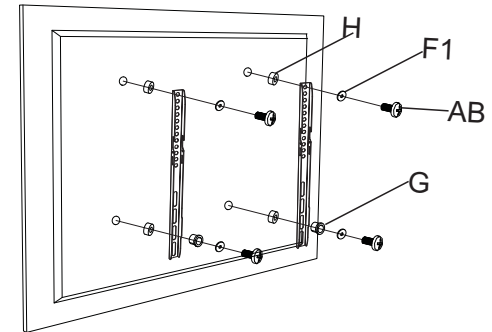
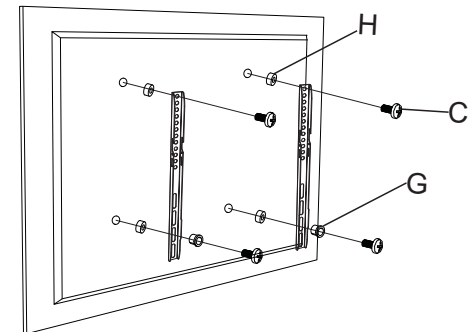


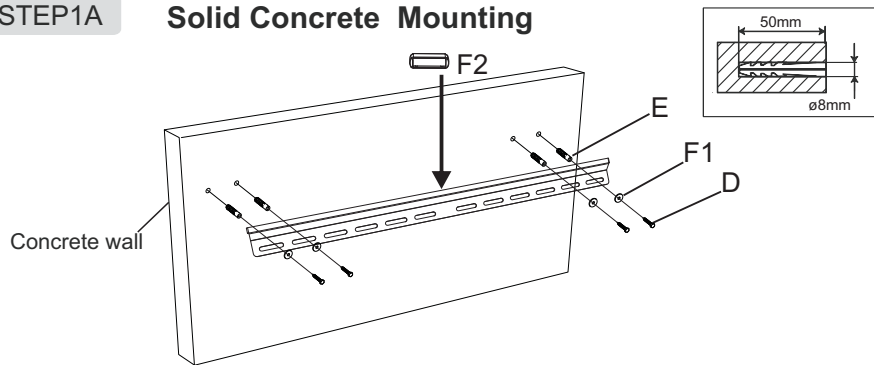
**STEP2A Attaching Brackets To Screen**



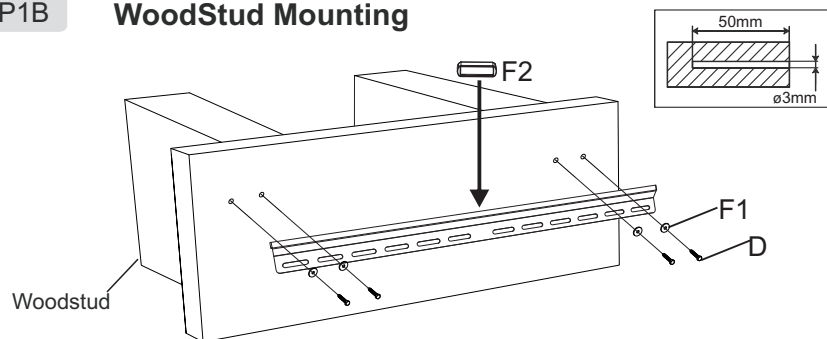
**STEP2B Attaching Brackets To Screen**



**STEP1A Solid Concrete Mounting**



**STEP1B WoodStud Mounting**



**STEP3 Hang the TV onto the wall plate**

