

PA SYSTEM / AMPLIFIERS / MONO

PROX-240Z

PA MULTI-ZONE AMPLIFIER



- ✓ Output zones with volume and Off control
- ✓ Bluetooth/USB/FM player
- ✓ Great performance, low maintenance



+ Info:
<https://fonestar.com/PROX-240Z>

ESPECIALLY RECOMMENDED IN:



Factories



Sports facilities



Education



All sectors

DESCRIPTION

Public Address Amplifier with Bluetooth®/USB/FM Player and Speaker Zone Selector.

The best tool for sound reinforcement in any space.

Reliable for long working hours.

Distributed audio for public address installations with 100V speakers, also featuring a low-impedance output.

Versatile player for background music. Bluetooth, FM, and USB memory player. With an automatic playback function upon power-up.

Includes 4 zone outputs with volume control for different music levels per zone.

Easy-to-use interface with a modern and discreet design.

A solution that adapts to any budget.

Secure and durable connections with low maintenance.

Can be used as a tabletop unit or installed in a rack.

Perfect for public address and background music systems with 100V line or low-impedance speakers.

Commercial spaces, educational centers, monuments, exhibitions, bars, restaurants, etc.

TECHNICAL CHARACTERISTICS

FEATURES	Public address amplifier. Bluetooth/USB/FM player. Microphone input with mix, gain and priority level control. Input priorities by signal level. Tone controls. 100 V and 4 Ohm outputs. 4 outputs zones with volume control and Off.
POWER	240 W RMS
RESPONSE	40-20,000 Hz (-10 dB)
DISTORTION	THD+N: < 1% @ 1 kHz
S/N RATIO	>77 dB
PROTECTIONS	Overcurrent, DC and short-circuit at the output



+ Info:

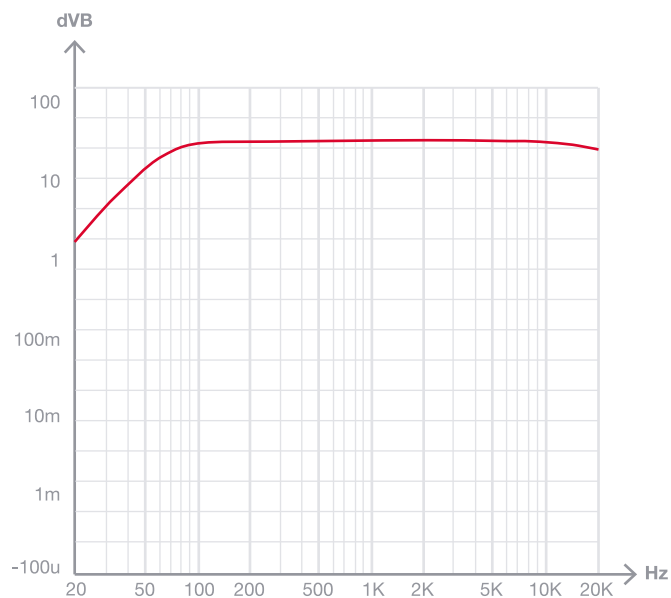
<https://fonestar.com/PROX-240Z>

INPUTS	<p>CH 1 balanced mic/line with 48V Phantom, Combo (XLR + 6.3 mm) and euroblock. CH 2, 3 and 4 balanced mic/line with 48V Phantom. Euroblock connector. Mic signal level: 6 mV RMS (-44 dBV) / 600 Ohm Line signal level: 250 mV RMS (-12 dBV) / 100k Ohm 2 x AUX. 2 x RCA and euroblock connector. Signal level 300 mV RMS (-10 dBV) / 47,000 Ohm 1 x emergency. Euroblock connector. Speaker line signal level 100 V 1 x Mute (Emergency Priority) by contact closure. Euroblock connector</p>
OUTPUTS	<p>1 x line. 2 x RCA connector. Signal level 1.25 mV RMS (+2 dBV) 100 V or 4 Ohm speaker output, or 4 x 100 V speaker zones with 5-position volume selector and OFF (max. 120 W RMS per zone). Connector screw terminals</p>
IMPEDANCE	<p>4 Ohm and 100 V (42Ohm) line</p>
FUNCTIONS	<p>Priority of entries (in order of attenuation): · Emergency entry 100. · Mute by closing contacts. · Channel 1 with selectable signal level shared CH 1-2-3-4 (VOX) · Channels 2 3 4 with selectable signal level shared CH 1-2-3-4 (VOX) · Auxiliary Inputs Player Light indicators for ignition, protection, signal peak and output signal Cooling by forced ventilation controlled by temperature</p>
PLAYER	<p>Bluetooth/USB/FM player for ambient music playback MP3 and WAV files supported Maximum USB memory capacity 64 GB Autoplay, starts playback automatically when switched on Playback mode memory (random, repeat).</p>
CONTROLS	<p>Microphone volume Mic/line/phantom switch Master volume Auxiliary input selector or player Zone volume Tone: bass and treble (±10 dB 100 Hz and 10k Hz). Microphone gain Priority activation signal level (VOX)</p>
TEMPERATURE	<p>Operation: 0° ~ 40°C</p>
MAXIMUM HUMIDITY	<p>95%</p>
POWER SUPPLY	<p>230/115 V AC, 50-60 Hz, 480 W Fuse AC 230 V 4 A / 115 V 8 A</p>
DIMENSIONS	<p>433 x 89 x 360 mm depth. 2 U 19" rack</p>
WEIGHT	<p>11.5 kg</p>
ACCESSORIES	<p>FM antenna Bluetooth antenna. Power cable Rack mounts</p>

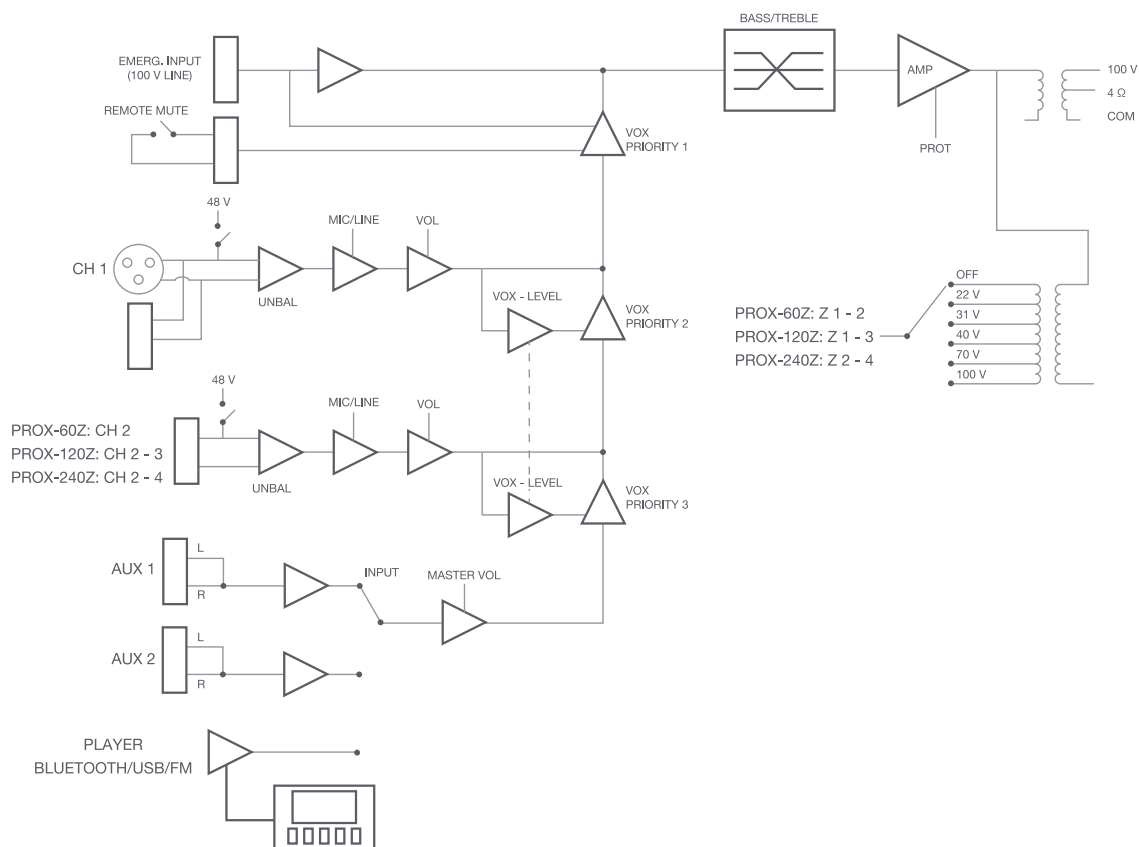


+ Info:
<https://fonestar.com/PROX-240Z>

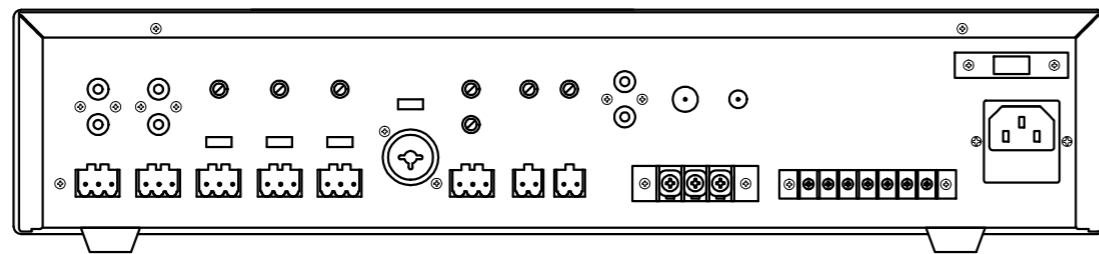
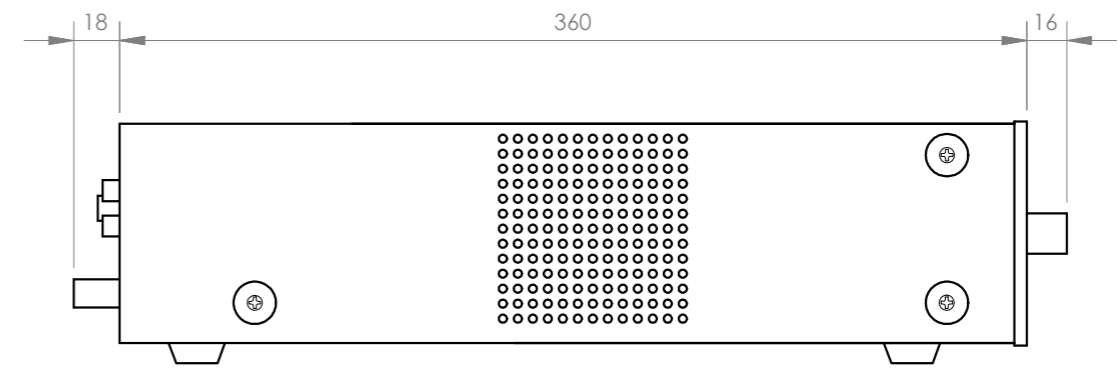
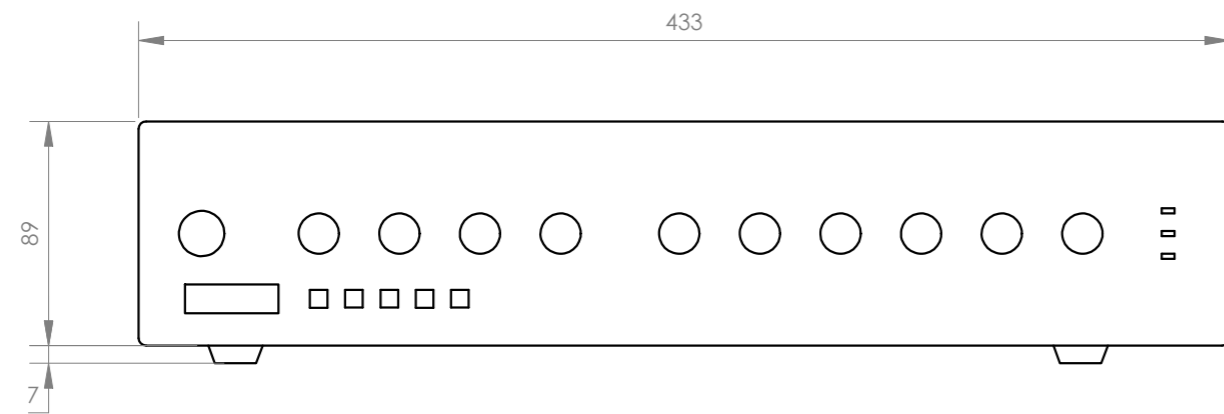
Frequency response



Block diagram



+ Info
<https://fonestar.com/PROX-240Z>



FONESTAR	Model	Description	Units	Scale
	PROX-240Z	PA MULTI-ZONE AMPLIFIER	mm	1:3