

PA SYSTEM / AMPLIFIERS / MONO

PROX-60Z

PA MULTI-ZONE AMPLIFIER



- ✓ Output zones with volume and Off control
- ✓ Bluetooth/USB/FM player
- ✓ Great performance, low maintenance



+ Info:
<https://fonestar.com/PROX-60Z>

ESPECIALLY RECOMMENDED IN:



Factories



Sports facilities



Education



All sectors

DESCRIPTION

PA amplifier with Bluetooth®/USB/FM player and speaker zone selector. The best tool for venue sound systems. Reliable for long working days. Distributed audio for PA installations with 100 V loudspeakers, also with low impedance output. Versatile player for background music. It has 2 zone outputs with volume control for different music levels per zone. User-friendly operation and a modern, discreet design. A solution to suit any budget. Safe and durable connections with low maintenance. Can be used on desktop or rack mounted. Perfect for public address and piped music systems with 100 V or low impedance line speakers. Retail shops, educational centres, monuments, exhibitions, bars, restaurants, etc.

TECHNICAL CHARACTERISTICS

FEATURES	Public Address Amplifier Bluetooth/USB/FM player. Microphone inputs with mix, gain and priority level control. Input priorities by signal level. Tone controls. 100 V and 4 Ohm outputs. 2 output zones with volume and Off control.
POWER	60 W RMS
RESPONSE	60–20,000 Hz (–10 dB)
DISTORTION	THD+N: < 1% @ 1 kHz
S/N RATIO	>77 dB
PROTECTIONS	Overcurrent, DC and short-circuit at the output
INPUTS	CH 1 balanced mic/line with 48 V Phantom, Combo (XLR + 6.3 mm) and euroblock. CH 2 balanced mic/line with 48 V Phantom, Euroblock connector. Mic signal level: 6 mV RMS (–44 dBV)/600 Ohm Line signal level: 250 mV RMS (–12 dBV)/100 kOhm 2 AUX. 2 x RCA and euroblock connector. Signal level 300 mV RMS (–10 dBV)/47,000 Ohm 1 emergency. Euroblock connector. Signal level loudspeaker line 100 V 1 Mute (Emergency Priority) by contact closure. Euroblock connector
OUTPUTS	1 line. 2 x RCA connector. Signal level 1.25 V RMS (+2 dBV) 100 V or 4 Ohm speaker output, or 2 100 V speaker zones with 5–position volume selector and OFF. Connector screw terminals



+ Info:

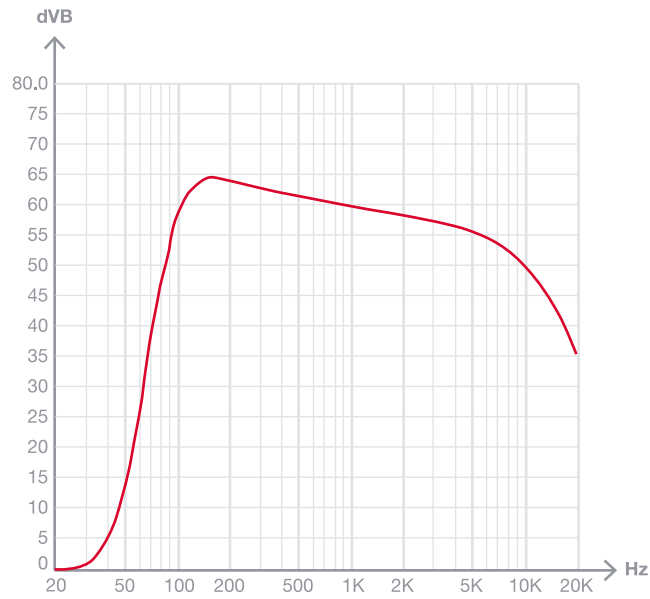
<https://fonestar.com/PROX-60Z>

IMPEDANCE	4 Ohm and 100 V line (166 Ohm)
FUNCTIONS	<p>Priority of entries (in order of attenuation):</p> <ul style="list-style-type: none"> · Emergency entry 100. · Mute by closing contacts. · Channel 1 with selectable signal level shared CHI-2 (VOX) · Channel 2 with selectable signal level shared CHI-2 (VOX) · Auxiliary Inputs Player <p>Light indicators for ignition, protection, signal peak and output signal</p> <p>Induction cooling without a fan</p>
PLAYER	<p>Bluetooth/USB/FM player for background music playback</p> <p>MP3 and WAV files supported</p> <p>Maximum USB memory capacity 64 GB</p> <p>Autoplay, starts playback automatically on power on</p> <p>Memory of last selected mode</p> <p>Memory of playback mode (random, repeat)</p>
CONTROLS	<p>Microphone volume</p> <p>Mic/line/phantom selector</p> <p>Master volume</p> <p>Aux input or player selector</p> <p>Zone volume</p> <p>Tone: bass and treble (+/- 10 dB 100 Hz and 10k Hz)</p> <p>Microphone gain</p> <p>Priority activation signal level (VOX)</p>
OPERATING TEMPERATURE	Operation: 0° ~ 40°C
MAXIMUM HUMIDITY	95%
POWER SUPPLY	<p>230/115 V AC 50-60 Hz, 200 W</p> <p>Fuse AC 230 V 1.5 A / 115 V 3.15A</p>
DIMENSIONS	320 x 94 x 281 mm depth
WEIGHT	5 kg
ACCESSORIES	<p>FM antenna</p> <p>Bluetooth antenna</p> <p>Power cable</p>

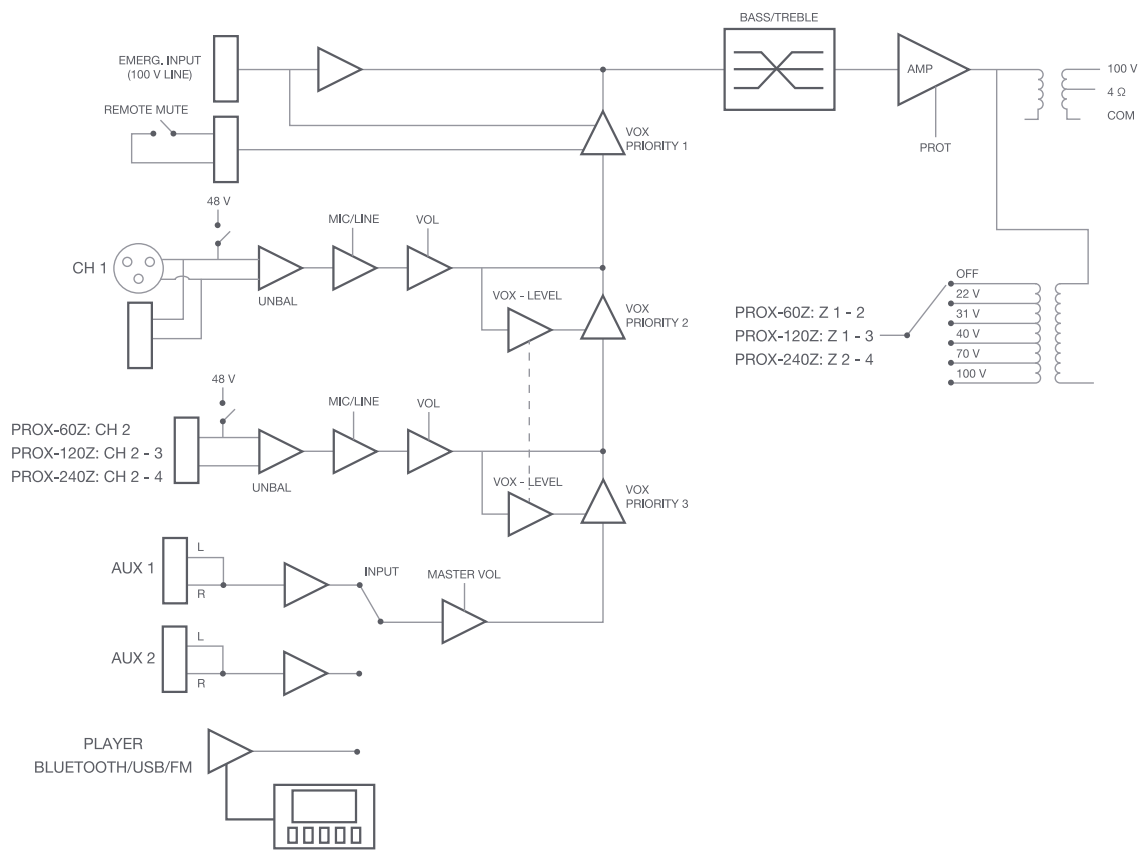


+ Info:
<https://fonestar.com/PROX-60Z>

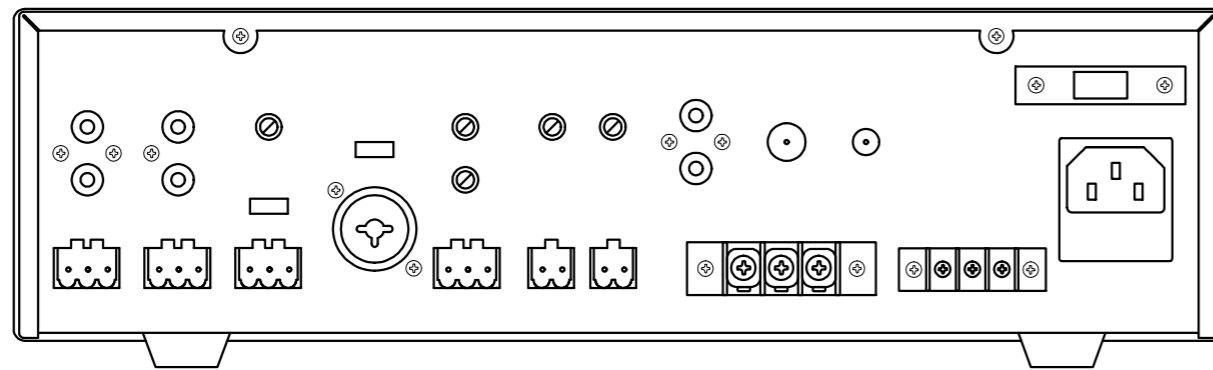
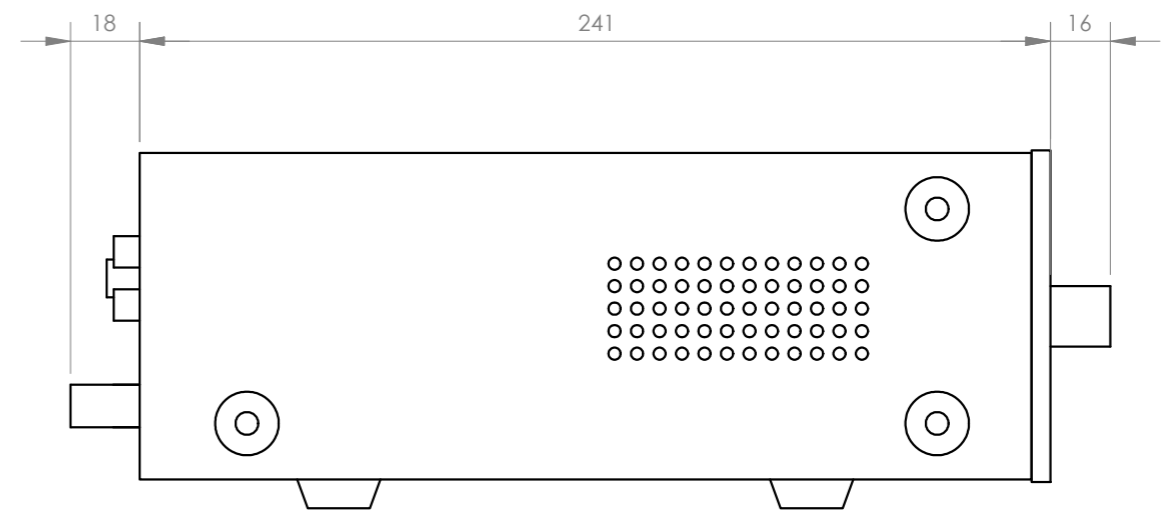
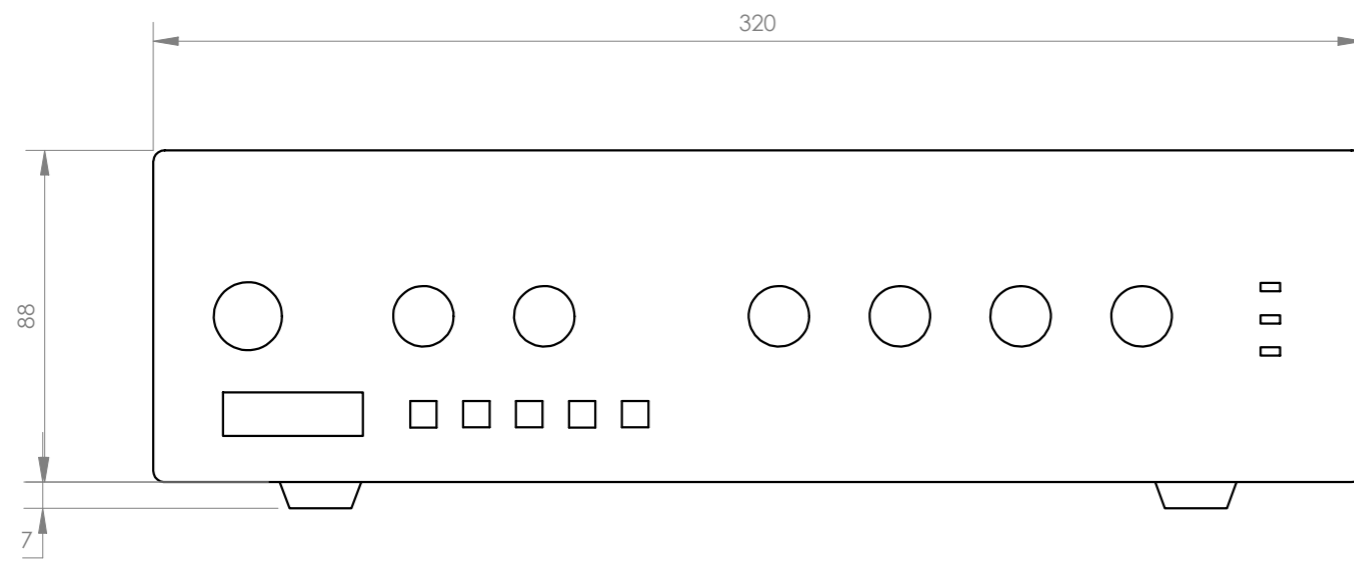
Frequency response



Block diagram



+ Info <https://fonestar.com/PROX-60Z>



FONESTAR	Model	Description	Units	Scale
	PROX-60Z	PA MULTI-ZONE AMPLIFIER	mm	1:2