

PA SYSTEM / AMPLIFIERS / MONO

PROX-240S

PA SINGLE ZONE AMPLIFIER



- ✓ PA versatile amplifier
- ✓ Microphone inputs with mix, gain and priority level control
- ✓ Great performance, low maintenance



+ Info:
<https://fonestar.com/PROX-240S>

ESPECIALLY RECOMMENDED IN:



Factories



Sports facilities



Education



All sectors

DESCRIPTION

Public Address Amplifier The best tool for sound coverage of areas. Reliable for long working days. Distributed audio for PA installations with 100 speakers, also with low impedance output. User-friendly operation and a modern, discreet design. A solution that fits any budget. Secure, durable connections with low maintenance. Can be used on the desktop or installed in a rack. Perfect for PA and piped music systems with 100 V or low-impedance line loudspeakers. Commercial premises, educational centres, monuments, exhibitions, bars, restaurants, etc.

TECHNICAL CHARACTERISTICS

FEATURES	PA Amplifier Microphone inputs with mix, gain and priority level control. Tone controls. 100 V and 4 Ohm outputs.
POWER	240 W RMS
RESPONSE	40-20,000 Hz (-10 dB)
DISTORTION	THD+N: < 1% @ 1 kHz
S/N RATIO	>77 dB
PROTECTIONS	Overcurrent, DC and short-circuit at the output
INPUTS	CH 1 balanced mic/line with 48 V Phantom, Combo connector (XLR + 6.3 mm) and euroblock CH 2, 4 and 4 mic/line balanced with 48 V Phantom. Euroblock connector Mic signal level: 6 mV RMS (-44 dBV)/600 Ohm Line signal level: 250 mV RMS (-12 dBV)/100 kOhm 2 AUX. 2 x RCA and euroblock connector. Signal level 300 mV RMS (-10 dBV)/47,000 Ohm 1 emergency. Euroblock connector. Signal level loudspeaker line 100 V 1 Mute (Emergency Priority) by contact closure. Euroblock connector
OUTPUTS	1 line. 2 x RCA connector. Signal level 1.25 V RMS (+2 dBV) 100 V or 4 Ohm speaker output. Connector screw terminals
IMPEDANCE	4 Ohm and 100 V (42 Ohm) line



+ Info:

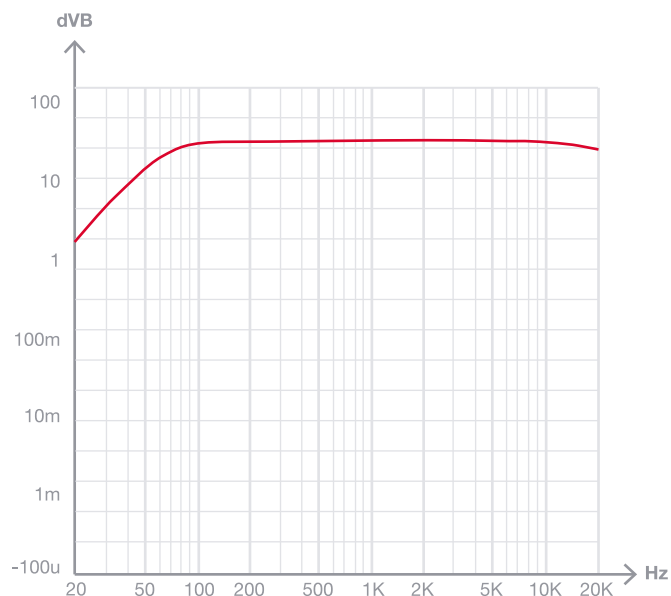
<https://fonestar.com/PROX-240S>

FUNCTIONS	<p>Priority of entries (in order of attenuation):</p> <ul style="list-style-type: none"> · Emergency entry 100. · Mute by closing contacts. · Channel 1 with selectable signal level shared CH 1-2-3-4 (VOX) · Channels 2 3 4 with selectable signal level shared CH 1-2-3-4 (VOX) · Auxiliary inputs <p>Light indicators for ignition, protection, signal peak and output signal Cooling by forced ventilation controlled by temperature</p>
CONTROLS	<p>Microphone volume Mic/line/phantom selector Master volume Aux input selector Tone: bass and treble (+/- 10 dB 100 Hz and 10k Hz) Microphone gain Priority activation signal level (VOX)</p>
TEMPERATURE	Operation: 0° ~ 40°C
MAXIMUM HUMIDITY	95%
POWER SUPPLY	<p>230/115 V AC 50-60 Hz, 480 W Fuse AC 230 V 4 A / 115 V 8 A</p>
DIMENSIONS	433 x 89 x 360 mm depth. 2 U 19" rack
WEIGHT	11.4 kg
ACCESSORIES	<p>Power cable Rack mounts</p>

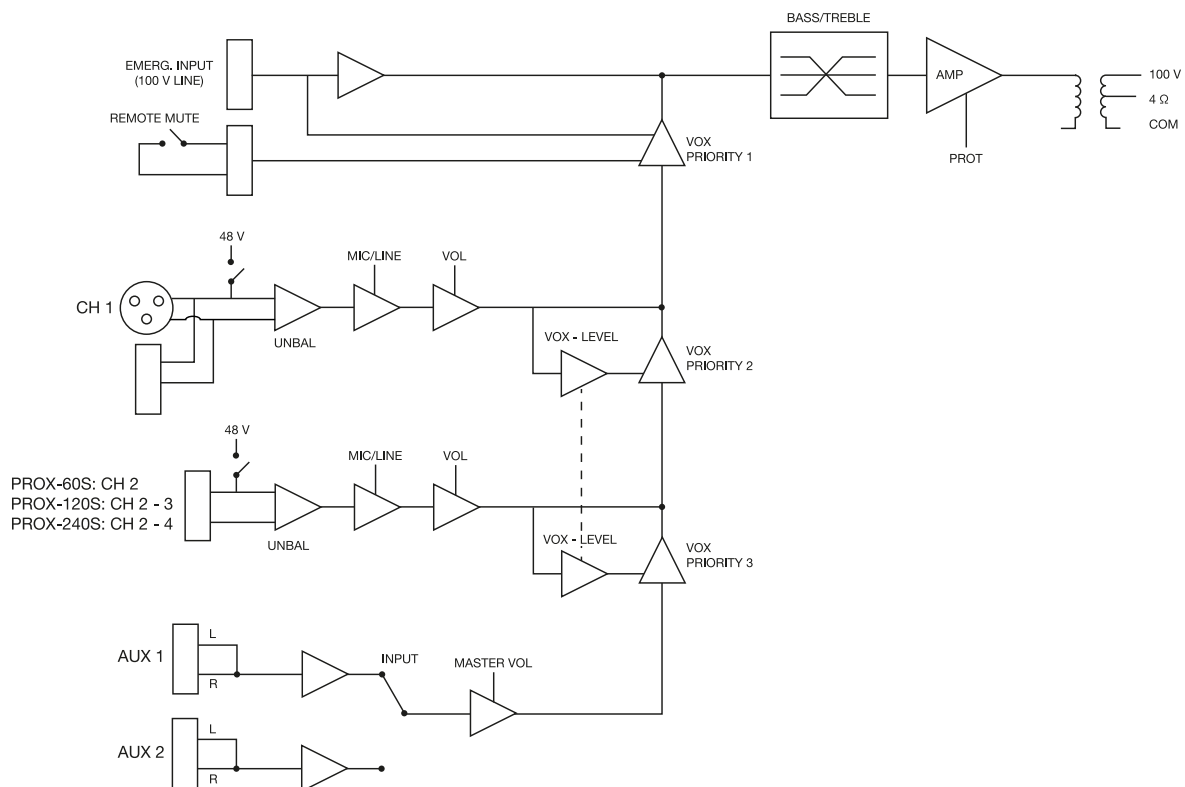


+ Info:
<https://fonestar.com/PROX-240S>

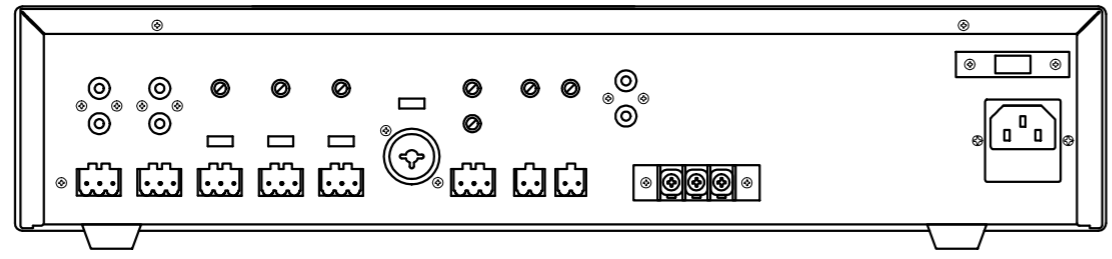
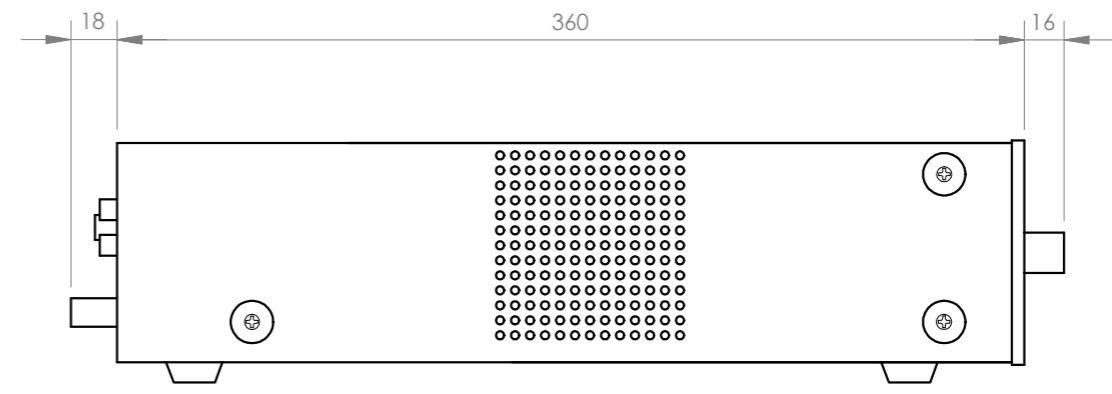
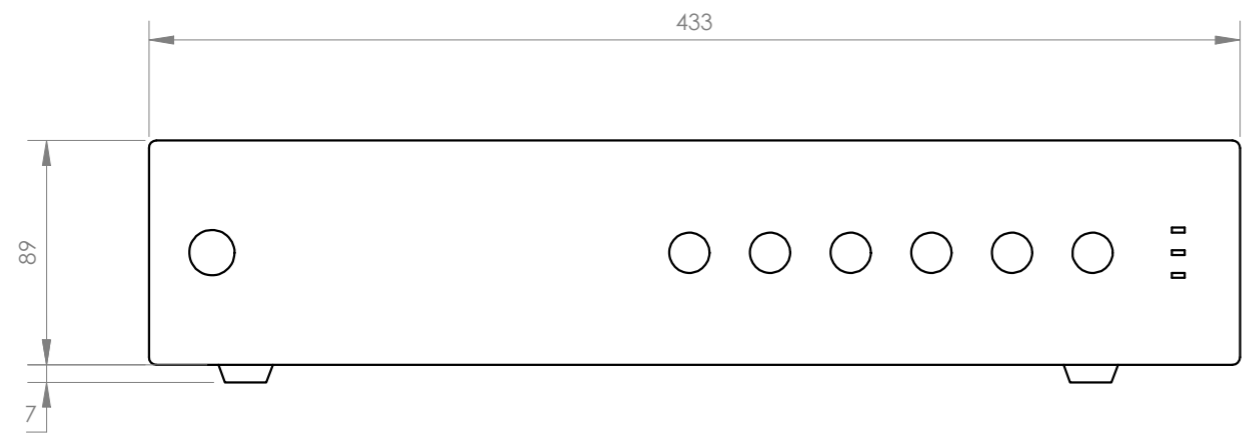
Frequency response



Block diagram



+ Info
<https://fonestar.com/PROX-240S>



FONESTAR	Model	Description	Units	Scale
	PROX-240S	PA SINGLE ZONE AMPLIFIER	mm	1:3