

Product Information

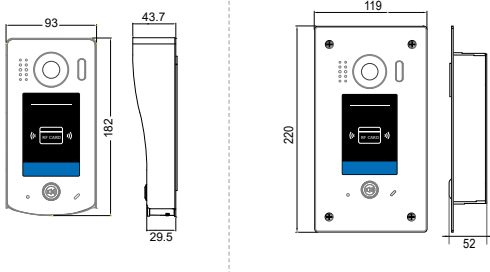
DT611(ID) Series 2-Wire Outdoor Station



DESCRIPTION

2-wire system outdoor station with proximity access control.

DIMENSION

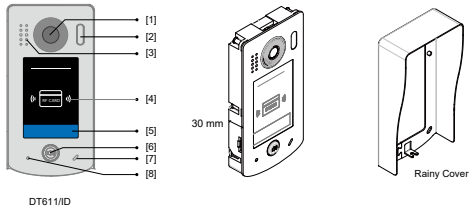


FEATURES

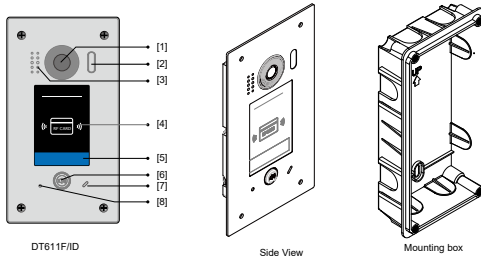
- 4mm plexiglass cover
- Waterproof nameplate design with blue light background
- Anti-tamper screw installation
- Full stainless steel materials design
- Proximity access control
- Support two kinds of lock(power on/off)
- IP54 strong waterproof
- Surface and flush mounting optional
- Max.170° fisheye lens;
*105°lens for optional.



1. Parts and Functions



DT611/ID



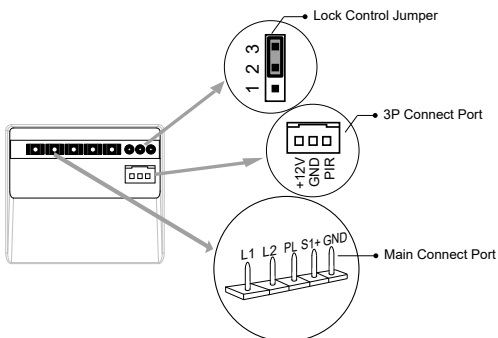
DT611F/ID

Side View

Mounting box

- [1] Camera Lens
- [2] LED_CAM
- [3] Speaker
- [4] ID card window
- [5] Nameplate
- [6] Call Button
- [7] Microphone
- [8] LED_POW

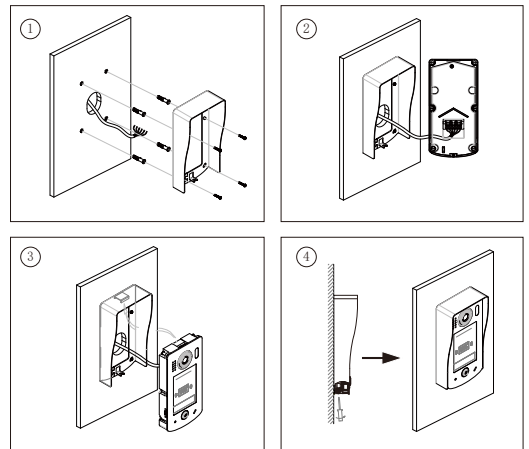
2. Terminal Description



- Lock Control Jumper:** To select the lock type.
- 3P Connect Port:** It can be used as exit button port.
- Main Connect Port:** To connect the bus line and the electronic locks.
- BUS:** Connect to the bus line, non polarity.
- PL:** External lock power input, connect to the power positive(power +).
- S1+,GND:** Lock power connection port.

3. Mounting

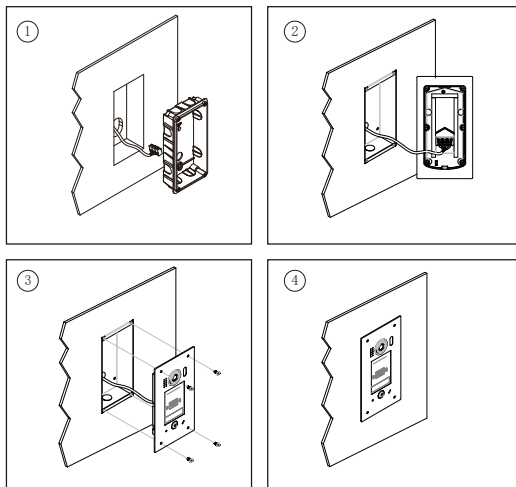
Surface mounting



1. Drill holes in the wall to match the size of screw stoppers, then attach the rainy cover to the wall.
2. Connect the cable correctly.
3. Attach the panel to the rainy cover.
4. Use the special screwdriver and the screws to fix the panel.



Flush mounting



1. Drill a hole in the wall to match the size of the mounting box and attach to the wall.
2. Connect the cable correctly.
3. Attach the panel to the mounting box and use the special screwdriver and the screws to fix the panel.

4. Specification

Power supply: DC24V

Camera: 1/2.7" 170° fisheye lens;
Color ARS, 420 TV Lines;

Power Consumption: ≤1W in standby
≤3W in working

Unlock Power output: 12Vdc,280mA

Unlock timing: 1~99s

Working temperature: - 15°C ~ +55°C

Wiring: 2 wires (non-polarity)

Dimension: 182(H)×93(W)×44(D)mm(*surface)
220(H)×120(W)×50(D)mm(*flush)

*Surface means surface mounting model DT611/ID

*Flush means flush mounting model DT611F/ID

5. Ordering Information

Model No.	Description	Remark
DT611C/ID	Color camera lens outdoor station with proximity access control(surface mounting version)	NSTC,PAL must be specified
DT611CF/ID	Color camera lens outdoor station with proximity access control(flush mounting version)	NSTC,PAL must be specified
DT611/ID-FE	Color Fisheye lens outdoor station with proximity access control(surface mounting version)	NSTC,PAL must be specified
DT611F/ID-FE	Color Fisheye lens outdoor station with proximity access control(flush mounting version)	NSTC,PAL must be specified



DT611C/ID
DT611/ID-FE



DT611CF/ID
DT611F/ID-FE

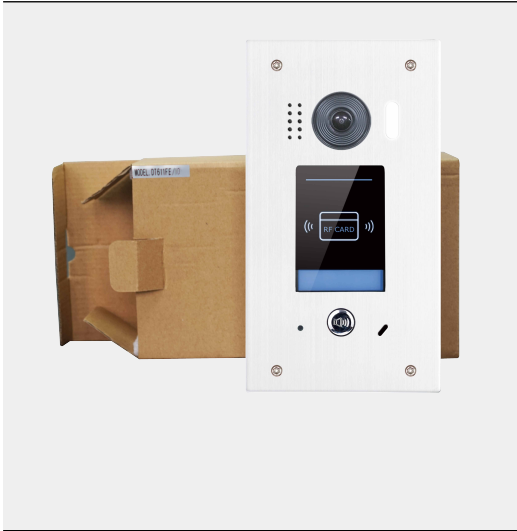
6. Accessories(Included in package)

Screw stopper x 4	Mounting screw x 4	Wall mounting screw x 4
Screwdriver x 1	Connector x 1	



7. Packing Information

Single Package



Dimensions: 200(H)×100(W)×60(D)mm(surface)
 225(H)×140(W)×63(D)mm(flush)

Gross Weight: ≈0.8Kg(surface)
 ≈1.19Kg(flush)

Carton Package



Carton: 265(H)×415 (W)×360(D)mm

Quantity: 28PCS(surface)
 15PCS(flush)