







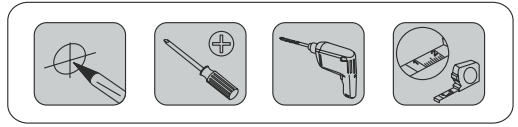


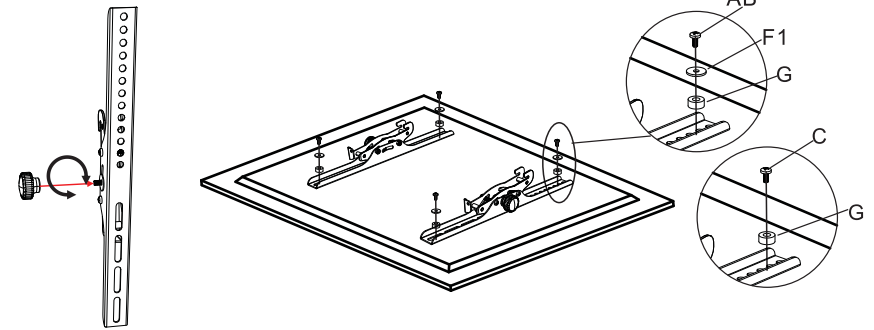
-  M4X20MM  
A(4PCS)
-  M6X20MM  
B(4PCS)
-  M8X25MM  
C(4PCS)
-  M6  
D(4PCS)

-  M6  
E(4PCS)
-  F1(8PCS)
-  bubble level  
F2(1PCS)
-  G(4PCS)

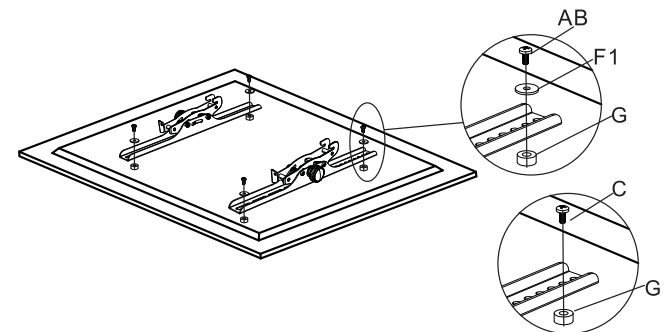


-  400x400
-  Max  
45kg
-  32"-50"
-  65mm
-  ±15°

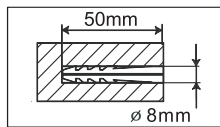
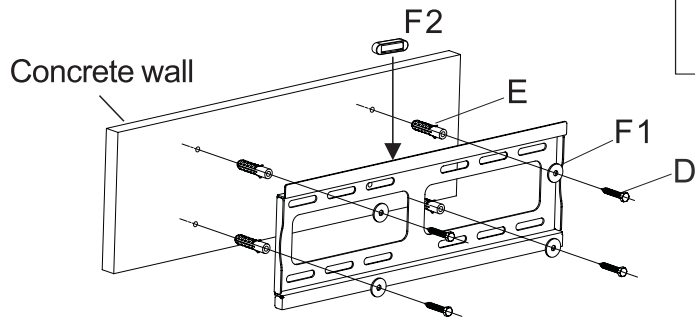
**STEP2A Attaching brackets to screen**



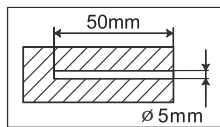
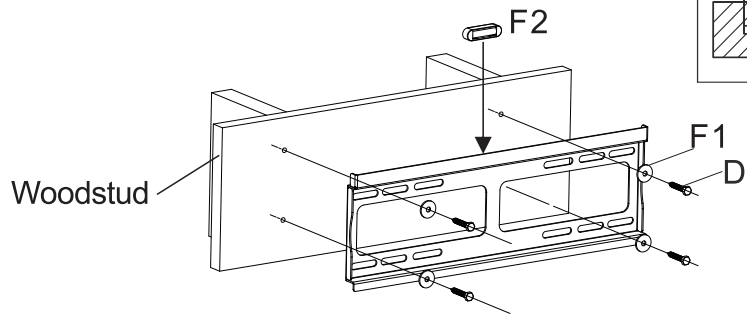
**STEP2B For TVs with a curved back or obstruction**



**STEP1A Solid concrete mounting**



**STEP1B Woodstud mounting**



**STEP3 Hang the TV onto the wall plate**

